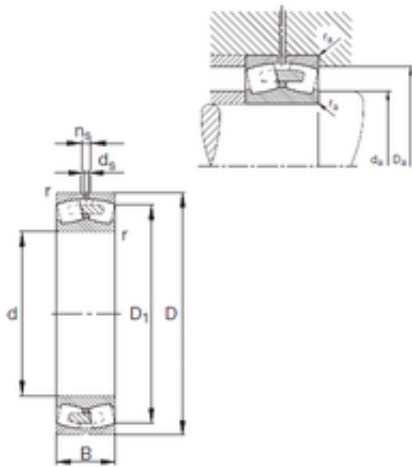




Seo-NTN Driveshaft USA CORP.

460 mm x 760 mm x 240 mm FAG 23192-E1A-MB1 spherical roller bearings



Bearing No. 23192-E1A-MB1

Size	460x760x240 mm
Bore Diameter	460 mm
Outer Diameter	760 mm
Width	240 mm
d	460 mm
D	760 mm
B	240 mm
C	240 mm
n	23,5 mm
r min.	7,5 mm
D1	663,4 mm
da min.	492 mm
Da max.	728 mm
ra max.	6 mm
d5	12,5 r/min
Weight	440 Kg
Basic dynamic load rating (C)	6900 kN
Basic static load rating (C0)	11500 kN
Fatigue load limit (Pu)	740
Reference speed	400 r/min
Limiting speed	880 r/min
Calculation factor (e)	0,31
Calculation factor (Y0)	2,16
Calculation factor (Y1)	2,21
Calculation factor (Y2)	3,29

23192-E1A-MB1 Bearing 2D drawings and 3D CAD models



Seo-NTN Driveshaft USA CORP.