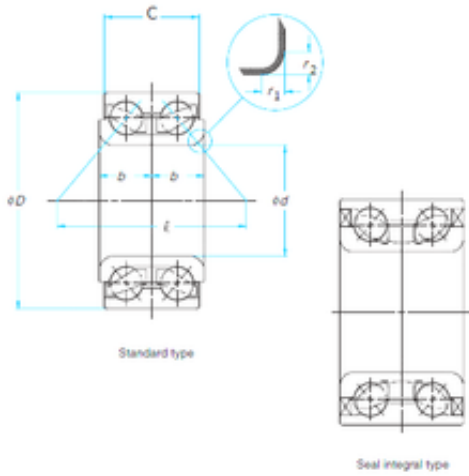




# Seo-NTN Driveshaft USA CORP.

51 mm x 96 mm x 50 mm FAG 804075A angular contact ball bearings

Bearing No. 804075A



Size	51x96x50 mm
Bore Diameter	51 mm
Outer Diameter	96 mm
Width	50 mm
d	51 mm
D	96 mm
B	50 mm
C	50 mm

804075A Bearing 2D drawings and 3D CAD models