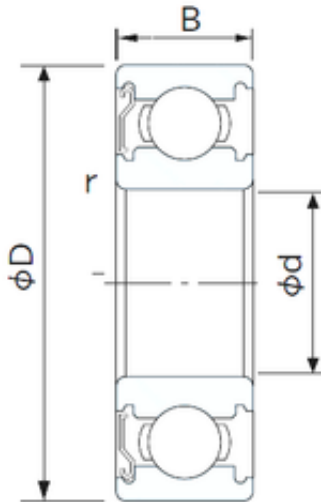




Seo-NTN Driveshaft USA CORP.



38,1 mm x 66,675 mm x 14,288 mm CYSD
R24-Z deep groove ball bearings

Bearing No. R24-Z

Size	38.1x66.675x14.288 mm
Bore Diameter	38,1 mm
Outer Diameter	66,675 mm
Width	14,288 mm
d	38,1 mm
D	66,675 mm
B	14,288 mm
C	14,288 mm
r min.	1 mm
Weight	0,1384 Kg
Basic dynamic load rating (C)	17,03 kN

R24-Z Bearing 2D drawings and 3D CAD models