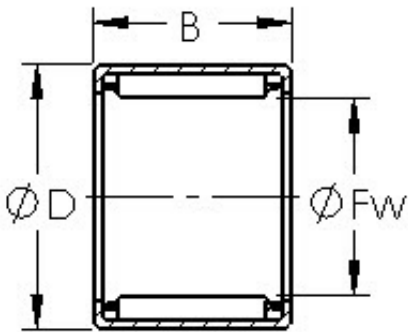




Seo-NTN Driveshaft USA CORP.



AST SCH1010 needle roller bearings

Bearing No. SCH1010

Bore Diameter	15,875 mm
Outer Diameter	22,225 mm
Width	15,875 mm
Bearing Type	Cage Retained Rollers
Outer Dia (D)	0.8750
Width (B)	0.6250
Dynamic Load Rating (Cr)	2,850
Static Load Rating (Cor)	3,750
Max Speed (Grease) (X1000 RPM)	17,600
Shaft (Fw)	0.625
Weight (g)	16.00
Material - Drawn cup: Hardened carbon steel alloy, Rollers	52100 Chrome steel or equivalent

SCH1010 Bearing 2D drawings and 3D CAD models