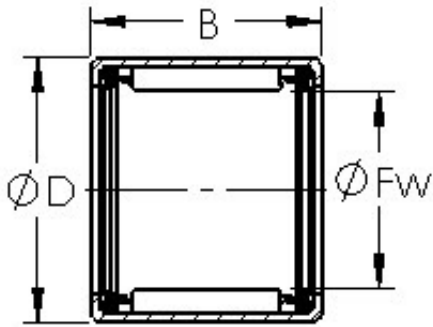




Seo-NTN Driveshaft USA CORP.



AST SCE68PP needle roller bearings

Bearing No. SCE68PP

Bore Diameter	9,525 mm
Outer Diameter	14,3 mm
Width	12,7 mm
Bearing Type	Cage Retained Rollers, Two Seals
Outer Dia (D)	0.5630
Width (B)	0.5000
Dynamic Load Rating (Cr)	870
Static Load Rating (Cor)	890
Max Speed (Grease) (X1000 RPM)	20,000
Shaft (Fw)	0.375
Weight (g)	6.00
Material - Drawn cup: Hardened carbon steel alloy, Rollers	52100 Chrome steel or equivalent

SCE68PP Bearing 2D drawings and 3D CAD models